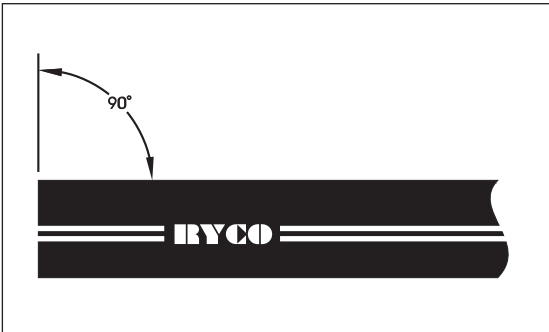


ASSEMBLY INSTRUCTIONS FOR:

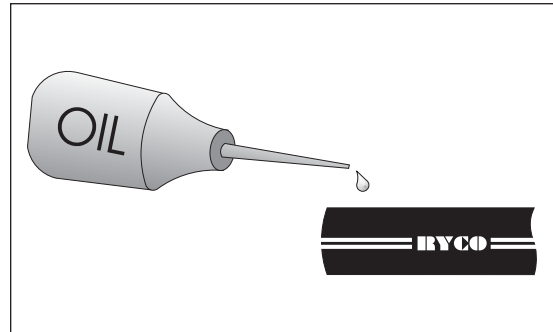
RYCO FIELD ATTACHABLE COUPLINGS WITH RYCO NON-SKIVE HOSE.

USE ONLY RYCO "T1A", "T1D", "T2A", "T2D", "TXA2D", "TJ2D", "RQP1", "RQP2", "RQP5", "T5", "M2" and "RT72" SERIES HOSE.



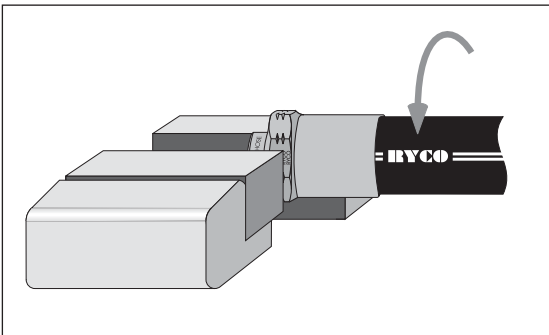
STEP ONE

Cut hose to length required using a fine tooth hacksaw or cut-off saw. Ensure hose is cut squarely. Clean hose bore.



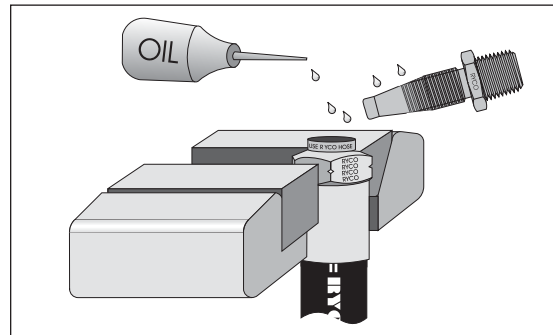
STEP TWO

Lubricate outer cover.



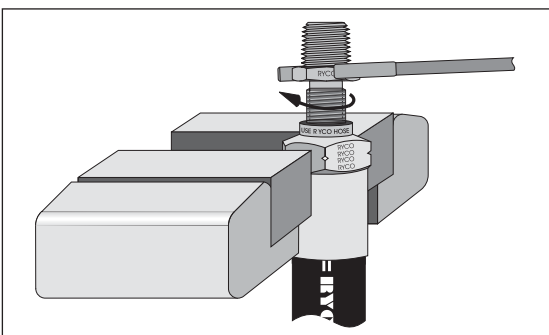
STEP THREE

Screw anti-clockwise until hose bottoms in ferrule. Ease back between 1/2 and 3/4 of a turn.



STEP FOUR

Liberal oil insert and inside of hose.



STEP FIVE

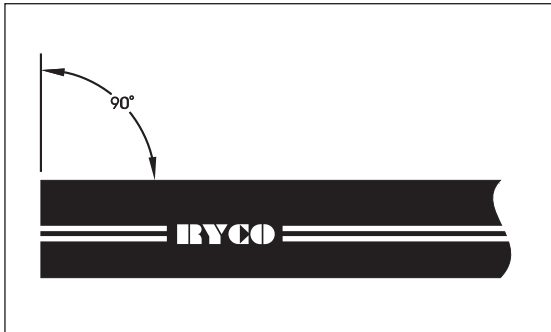
Screw insert clockwise right into ferrule using a continuous motion. Do not allow hose to turn during operation.

SPECIAL NOTES:

- For "T1A" and "T1D" Hose in sizes -20, -24, -32**
 In these sizes, K Series Ferrules are not available and A Series Field Attachable Couplings must be used. The cover of hose must be skived at ends. Refer to page 179 for assembly instructions.
- For "T2A", "T2D" and "RQP2" Hose in sizes -24, -32**
 In these sizes, L Series Ferrules are not available and B Series Field Attachable Couplings must be used. The cover of hose must be skived at ends. Refer to page 179 for assembly instructions.
- Field Attachable Couplings should not be used on RQP1 and RQP2 Hose at maximum working pressure when temperature exceeds 121°C (250°F).**
 Field Attachable Couplings may be used on RQP1 and RQP2 Hose at over 121°C but at reduced working pressure.
 Contact RYCO for more information.

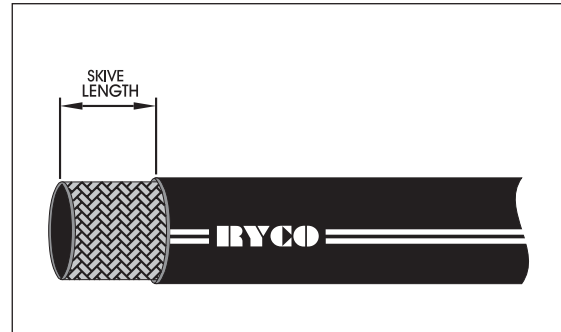
ASSEMBLY INSTRUCTIONS FOR:

RYCO FIELD ATTACHABLE COUPLINGS WITH RYCO SKIVE HOSE.
USE ONLY RYCO "AS1D", "AS2D" & "AJ2D" SERIES HOSE.



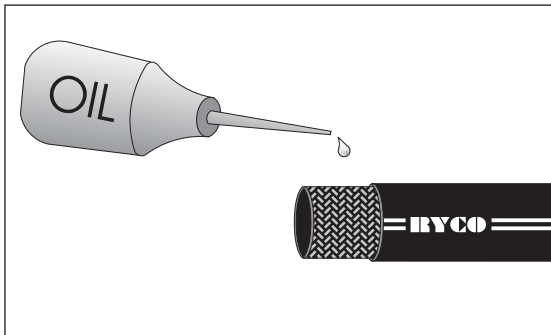
STEP ONE

Cut hose to length required using a fine tooth hacksaw or cut-off saw. Ensure hose is cut squarely. Clean hose bore.



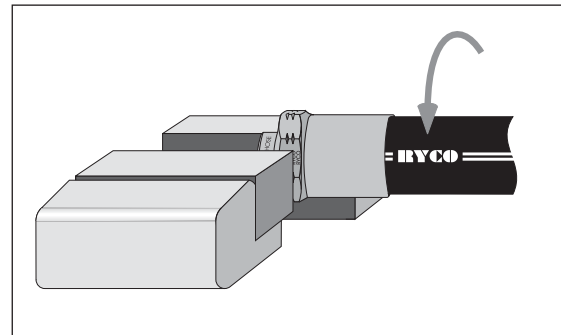
STEP TWO

Mark Skive Length. (refer to Hose specification pages). Cut rubber cover around down to wire reinforcement. Slit lengthwise. Raise flap and pull off with pliers.



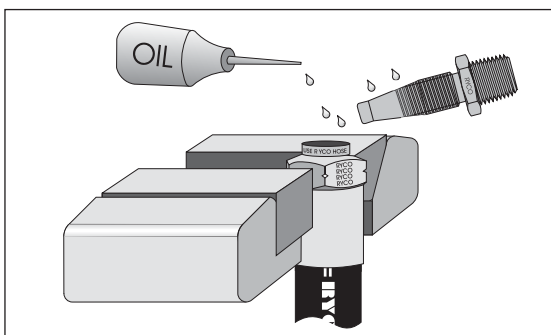
STEP THREE

Lubricate exposed wire reinforcement.



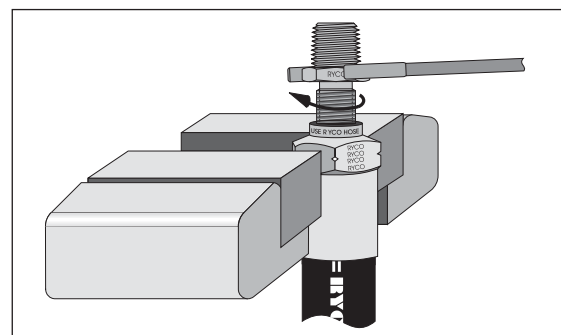
STEP FOUR

Screw anti-clockwise until hose bottoms in ferrule. Ease back between 1/2 and 3/4 of a turn.



STEP FIVE

Liberalily oil insert and inside of hose.



STEP SIX

Screw insert clockwise right into ferrule using a continuous motion. Do not allow hose to turn during operation.